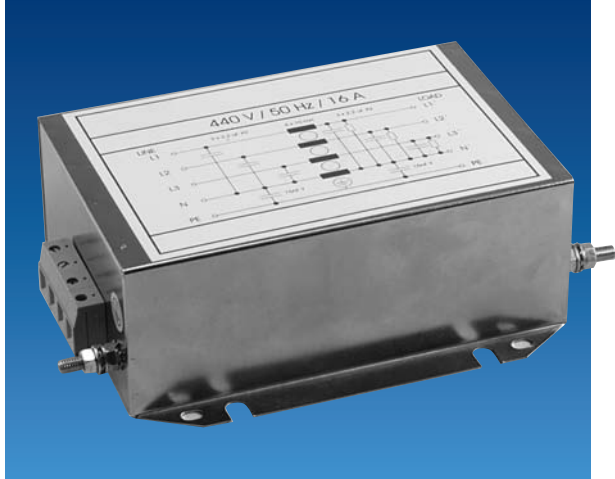


PDF Series 3-PHASE, CHASSIS MOUNT WITH TERMINAL BLOCK EMI/RFI LINE FILTER.



FEATURES

The PDF series offers 3-phase filters in the compactly constructed chassis mount package. It offers terminal block as the connecting terminals for easy connection. This high performance filter is ideal for many high current applications requiring EMC compliance with various industry standards.

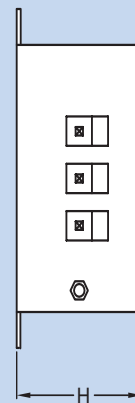
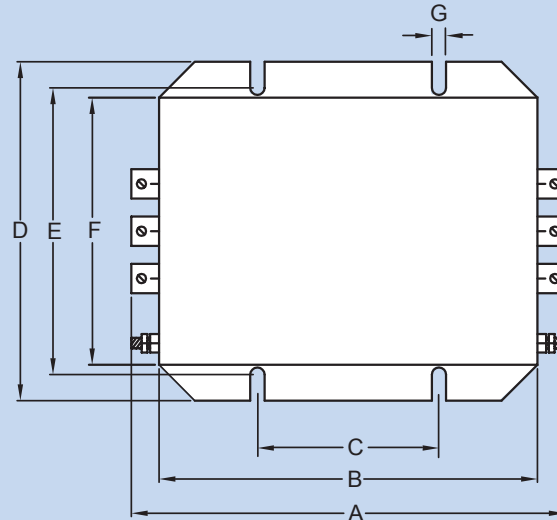
APPLICATIONS

Motors, compressors, non-interrupting and switching-mode power supplies and other electronic machines.

TECHNICAL DATA

- Rated Voltage: 440VAC
- Rated Current: 16A, 32A, 50A, 100A
- Power Line Frequency: 50/60Hz
- Temperature Range: -25C to +85C

MECHANICAL DIMENSIONS (Unit: mm)



	A	B	C	D	E	F	G	H
PDF016T	175	150	85	125	112	100	6.4	56
PDF032T	180	150	85	125	112	100	6.4	55
PDF050T	265	200	115	150	135	120	6.4	64
PDF100T	340	260	150	180	165	150	10.5	80

Specifications subject to change without notice. Dimensions (mm).

PDF Series Attenuation Table

Non-Medical Applications

Insertion loss in dB (50 Ohm circuit)

PDI P/N	Current Rating (A)	L (mH x 3)	Cx (uF x 3)	Cy (uF x 4)	Cz (uF x 3)	R (Ohms)	Comm. Mode(L-G) MHz						Diff. mode(L-L) MHz					
							.15	.5	1	5	10	30	.15	.5	1	5	10	30
PDF016T	16	11	2.2	4.4	0.068	100K	85	90	80	73	69	71	80	98	79	78	70	57
PDF032T	32	10	2.2	4.4	0.068	100K	84	88	80	62	68	64	75	94	78	75	70	57
PDF050T	50	4.3	2.2	4.4	0.068	100K	80	86	80	70	69	40	73	101	90	90	89	61
PDF100T	100	4.3	2.2	4.4	0.068	100K	75	88	78	64	60	47	63	80	74	70	60	40

SCHEMATIC

